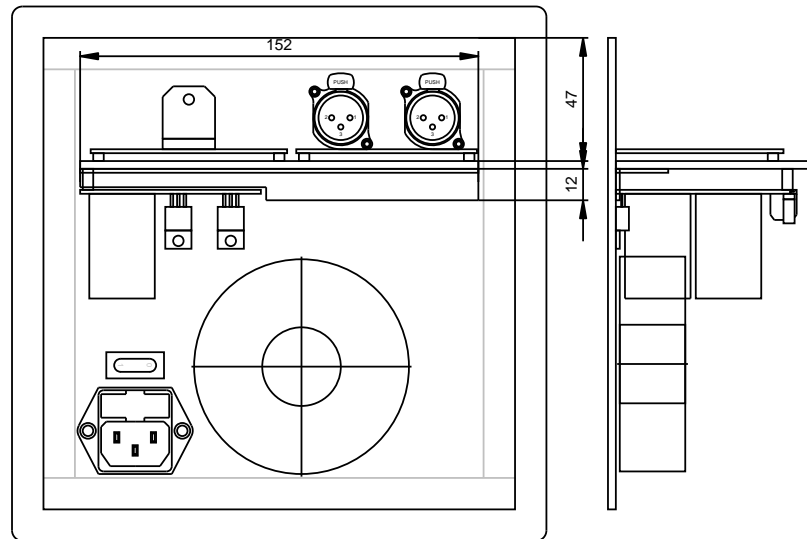
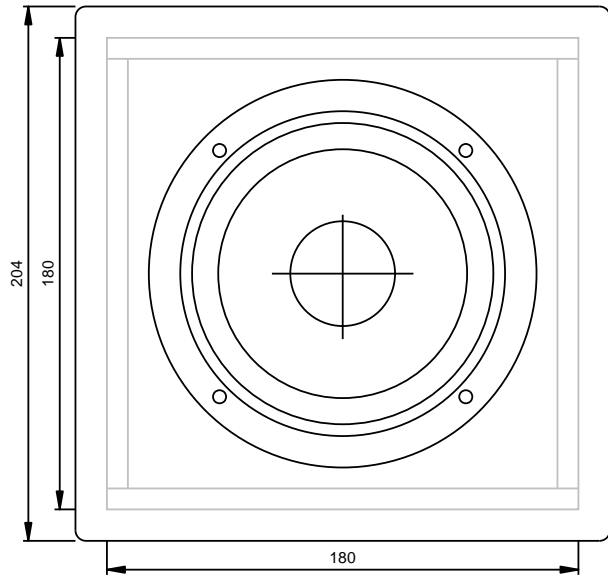
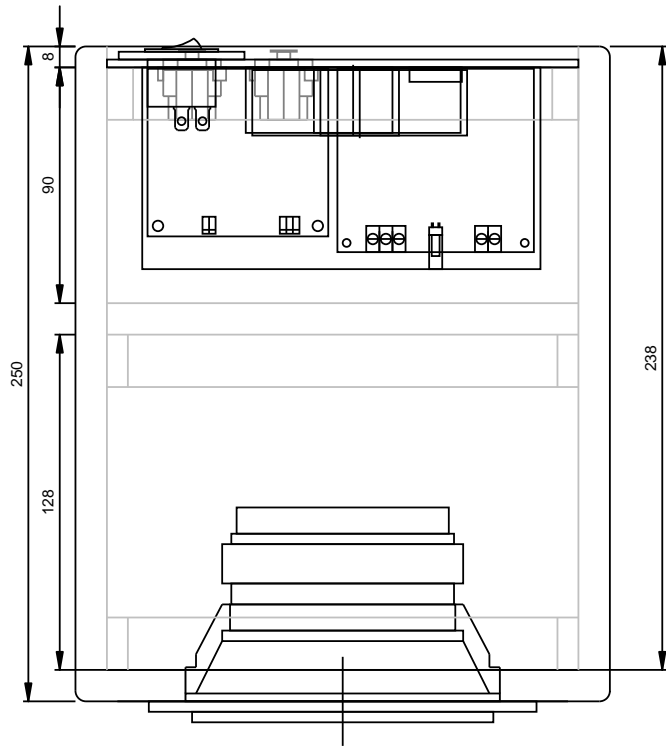


CHANGELOG		
REV	DATE	CHANGE



PROJECT	
TITLE MONO ACTIVE BALANCE MONITOR	
SCALE 1:2 @ A3	DRAWN G.SWAN
DATE 2015-11-27	CHK
DRWG NO	