

D

D

C

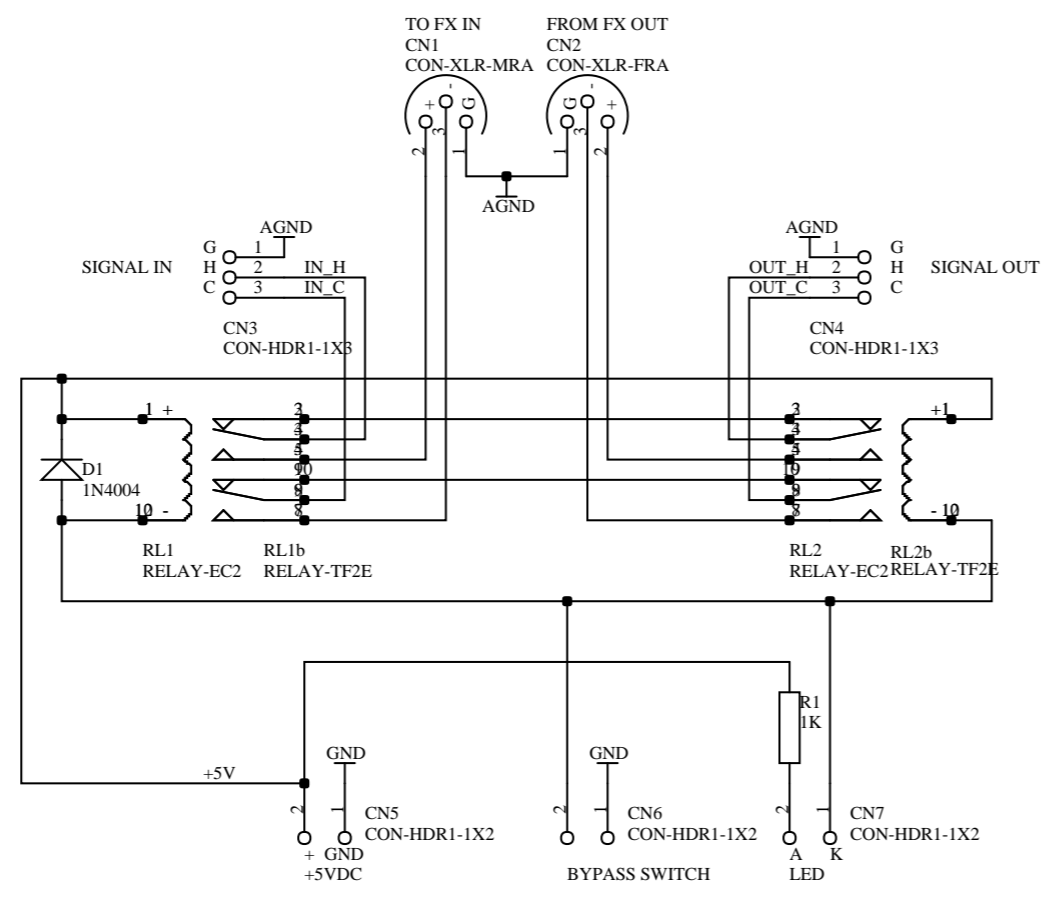
C

B

B

A

A



COPYRIGHT 2012 AXT SYSTEMS PTY LIMITED



Title Audio Bypass Module ABM-1		
Size A3	Number AX001037-J	Revision 02
Date: 17-May-2014	Sheet of 1	
File: G:\data\CAD\abm-1\abm-1.Ddb	Drawn By:	