

D

D

C

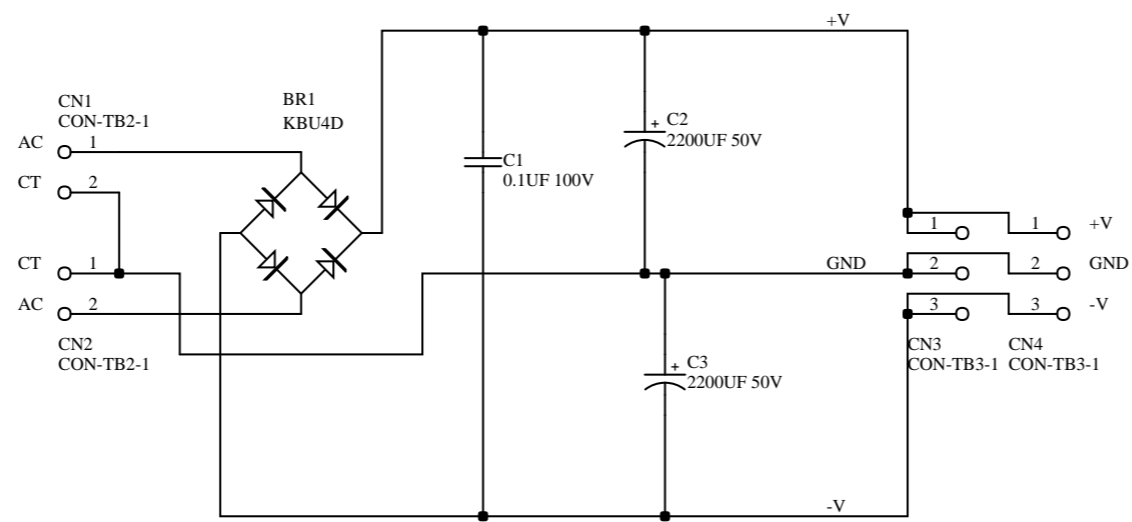
C

B

B

A

A



COPYRIGHT 2006 AXT SYSTEMS PTY LIMITED



Title PSU-11 DUAL UNREGULATED PSU		
Size A3	Number	Revision 01
Date: 9-Oct-2013	Sheet of 1	Drawn By:
File: G:\data\CAD\psu-11\psu-11.ddb		