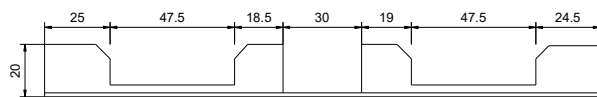
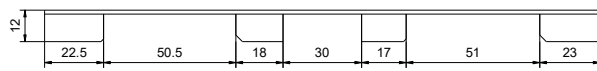
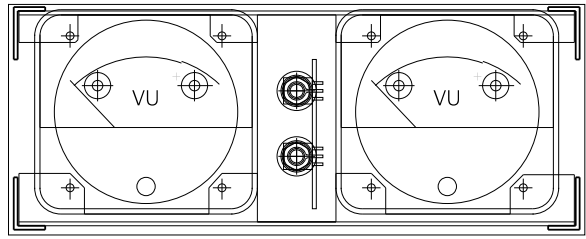
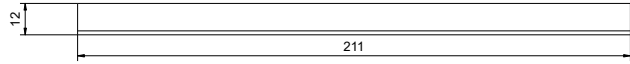
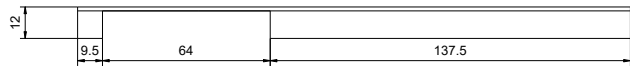
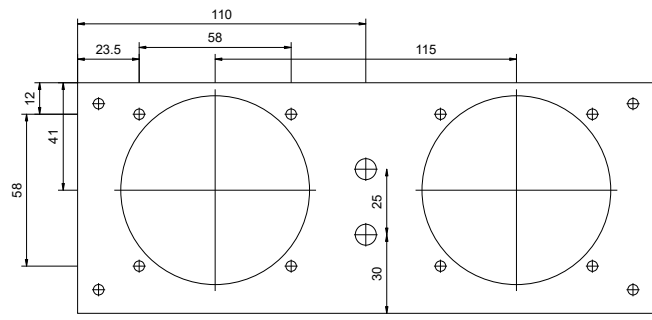
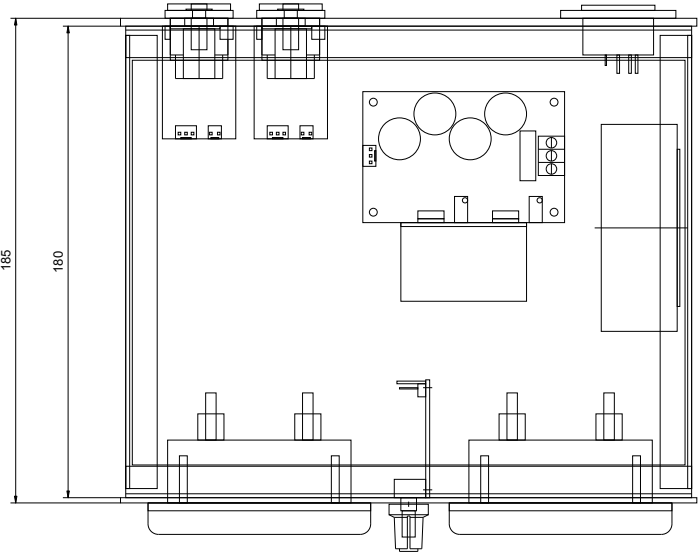
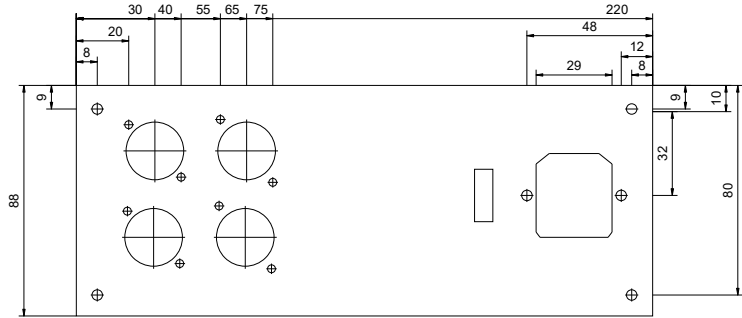
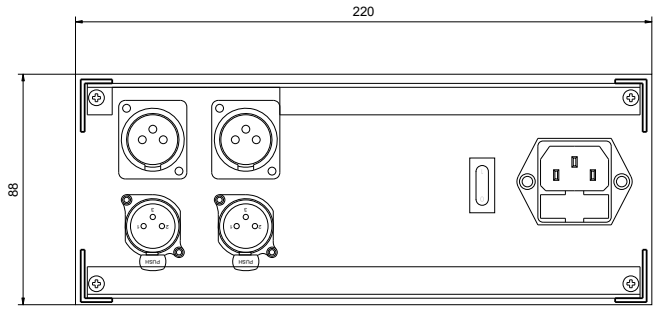


CHANGELOG

REV	DATE	CHANGE



PROJECT
AXT STEREO VU METER

TITLE
ENCLOSURE CHASSIS

SCALE 1:2 @ A3 DRAWN GJS

DATE 2023-04-10 CHK

DRWG NO