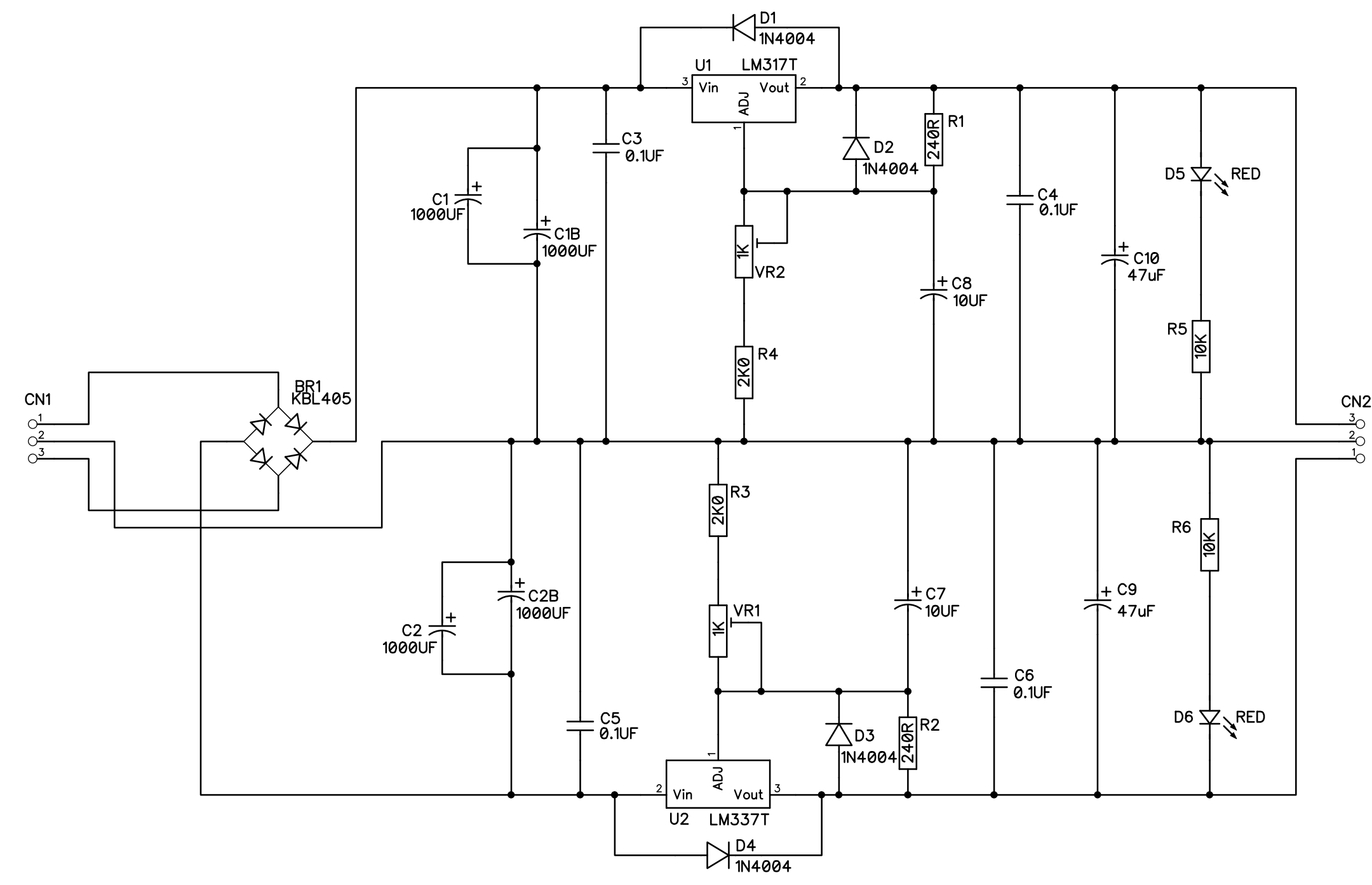


1 2 3 4 5 6 7 8

A
B
C
D
E
F

A
B
C
D
E
F



AC IN	V+ MIN	V+ MAX	V- MIN	V- MAX	VR1	VR2	R4	R3
15-0-15	11.9	17.2	-11.9	-17.2	1K	1K	2K	2K

$V+ = 1.25(1 + R/240) + 100u \cdot R$
 $V- = -1.25(1 + R/240) - 100u \cdot R$

PSU-12 BIPOLAR PSU		
Size	Number	Rev
A3	AX001108-C	02
Date: 2021-06-16		Drawn: G SWAN
Filename		Sheet: 1/1
COPYRIGHT 2018 AXT SYSTEMS PTY LIMITED		

1 2 3 4 5 6 7 8