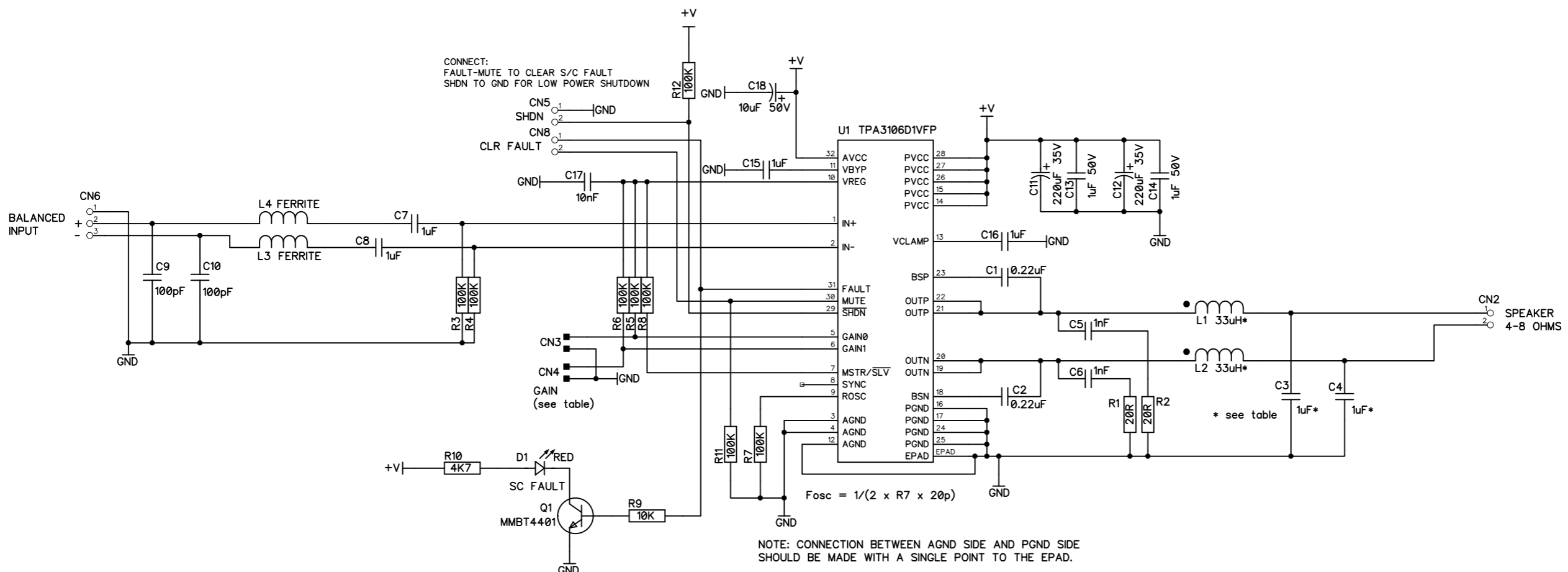


CONNECT:
 FAULT-MUTE TO CLEAR S/C FAULT
 SHDN TO GND FOR LOW POWER SHUTDOWN



NOTE: CONNECTION BETWEEN AGND SIDE AND PGND SIDE SHOULD BE MADE WITH A SINGLE POINT TO THE EPAD.

$$F_{osc} = 1/(2 \times R7 \times 20p)$$

GAIN1	GAIN2	AMP GAIN	INPUT Z
CN3	CN4	dB	kohms
0 (CL)	0 (CL)	20	32
0 (CL)	1 (OP)	26	16
1 (OP)	0 (CL)	32	16
1 (OP)	1 (OP)	36	16

RL (ohms)	L1, L2	C3, C4	Fc
8	33uH	1uF	27kHz
4	15uH	2.2uF	27kHz

30W CLASS D MONO AMPLIFIER		
Size	Number	Rev
A3	AX001393-L	02
Date: 2020-10-16	Drawn by: GJS	
Filename	Sheet: 1/1	
COPYRIGHT 2020 AXT SYSTEMS PTY LIMITED		