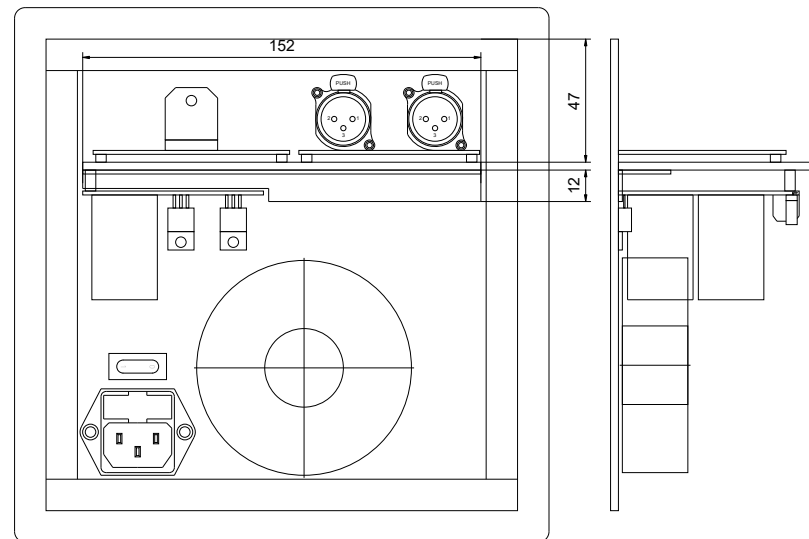
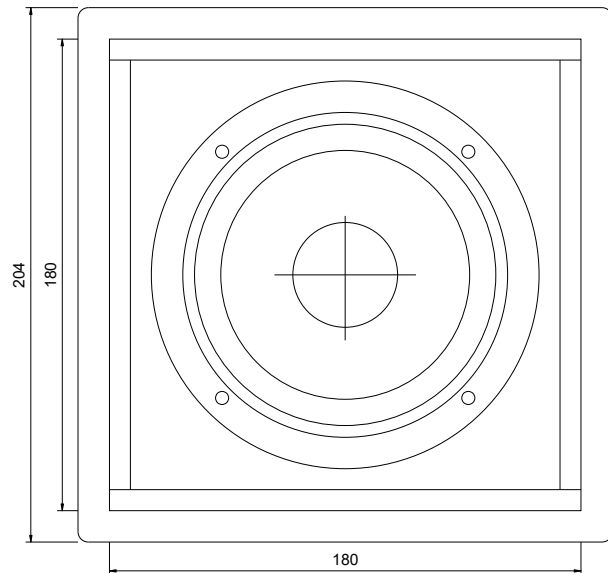
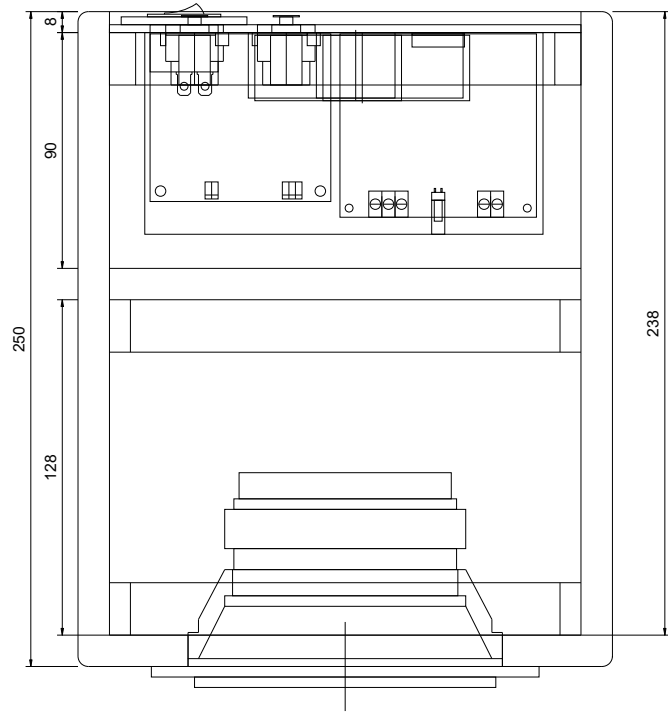


CHANGELOG

REV	DATE	CHANGE



PROJECT

MONO ACTIVE BALANCE MONITOR

TITLE

ENCLOSURE

SCALE 1:2 @ A3

DRAWN GJS

DATE 2015-11-27

CHK

DRWG NO