

A

B

C

D

E

F

A

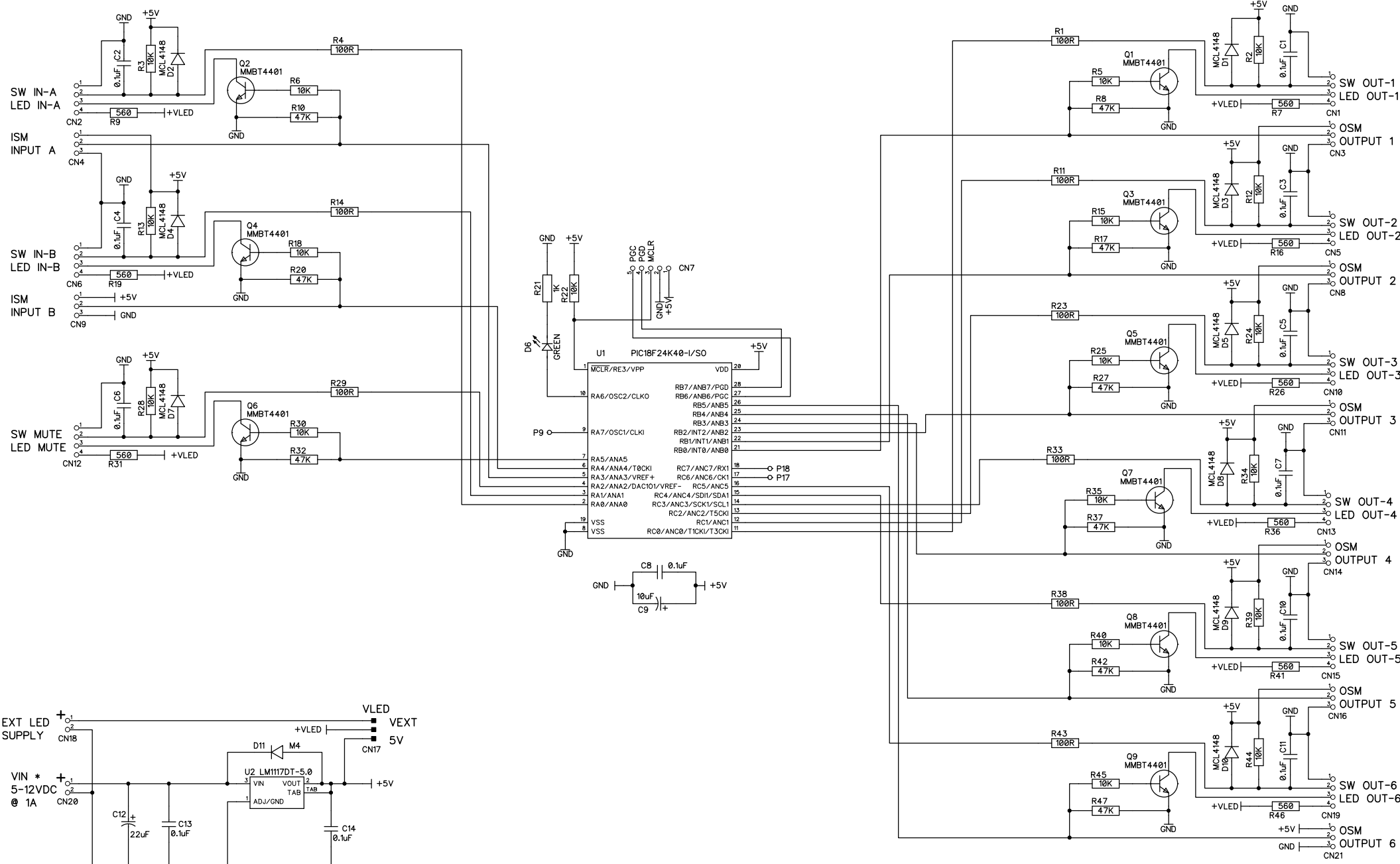
B

C

D

E

F



\* IF 5V INPUT USED, OMIT U2 AND REPLACE D11 WITH LINK.

Title: AUDIO SWITCH CONTROL ASCM-4		
Size	Number	Rev
A3	AX001532-Z	02
Date:	2023-03-01	Drawn by: GJS
Filename:		Sheet: 1/1