

1 2 3 4 5 6 7 8

A A

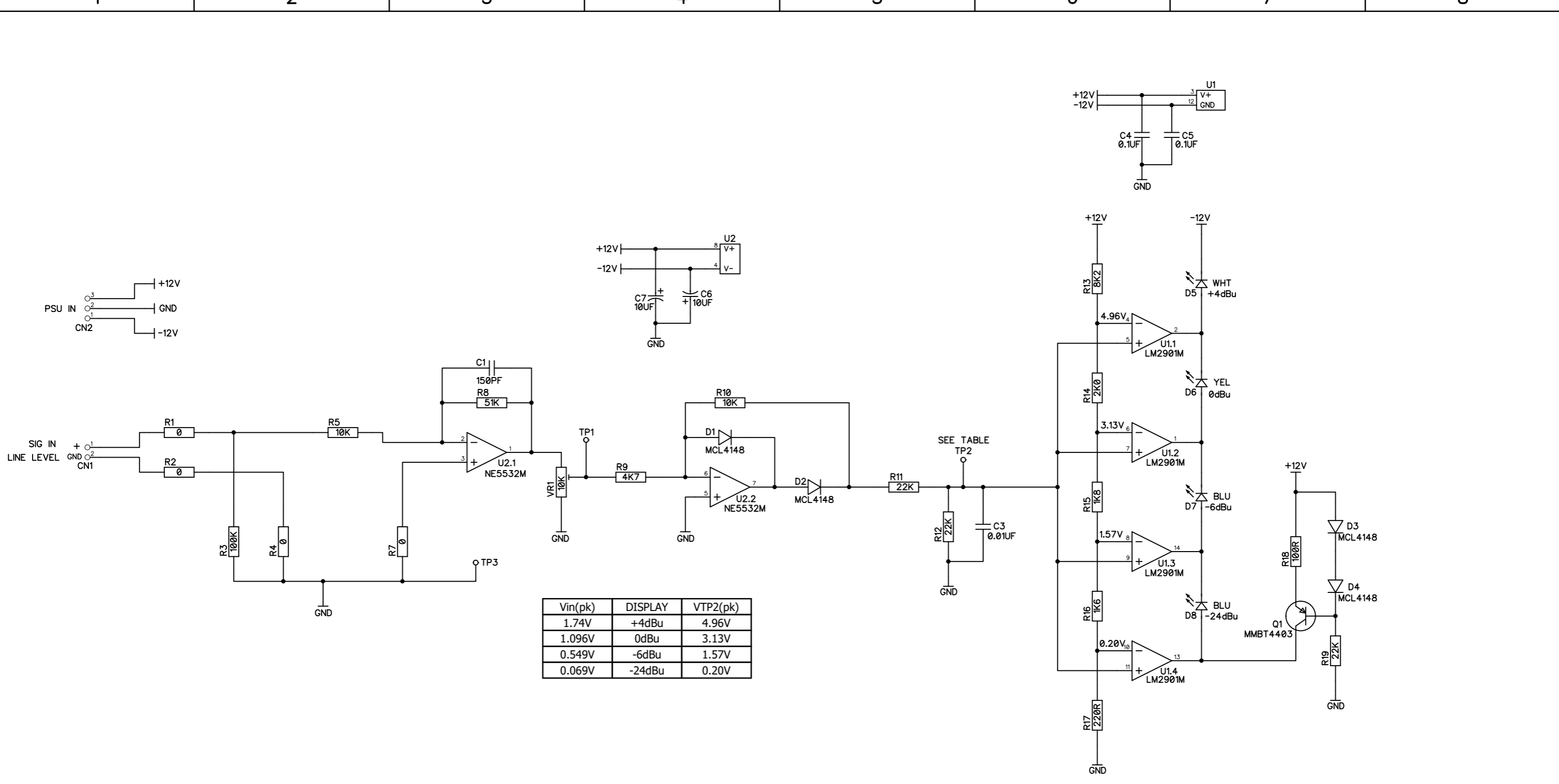
B B

C C

D D

E E

F F



APM-3 BTL AUDIO POWER METER		
V04: SINGLE ENDED PEAK METER		
Size	Number	Rev
A3	AX001353-J	01
Date: 2019-07-29		Drawn by: GJS
Filename		Sheet: 1/1
COPYRIGHT 2018 AXT SYSTEMS PTY LIMITED		

1 2 3 4 5 6 7 8